



# Gunnison™

33-1/2" undermount double-bowl kitchen sink  
**34293**

## Features

- 36" minimum base cabinet width
- Double-equal bowls
- 9-1/2" (241 mm) depth provides generous workspace
- Slim divider creates more space while allowing you to completely submerge pots and pans
- Rear drains increase workspace in the sink and storage space underneath
- Matte finish offers rich, dimensional color
- Includes installation hardware

## Material

- Composite material is durable and built to withstand day-to-day cleaning tasks
- Solid color throughout the sink
- Heat-resistant up to 750°F
- Scratch-, stain-, chip-, and thermal-shock-resistant

## Installation

- Undermount

## Recommended Products/Accessories

- K-5656 Sink Rack
- K-8801 Sink drain and strainer with tailpiece
- K-8799 Sink drain and strainer basket
- K-23726 Drain treatment
- K-23730 Neoroc® cleaner

## Optional Products/Accessories

- K-11352 Disposal Flange with Stopper
- K-9000 P-Trap



## Codes/Standards




CSA B45.5/IAPMO Z124  
IAPMO Certification

## STERLING® Vikrell® or Acrylic Kitchen and Utility Sinks Lifetime Limited Warranty

See website for detailed warranty information.

## Available Colors/Finishes

*Color tiles intended for reference only.*

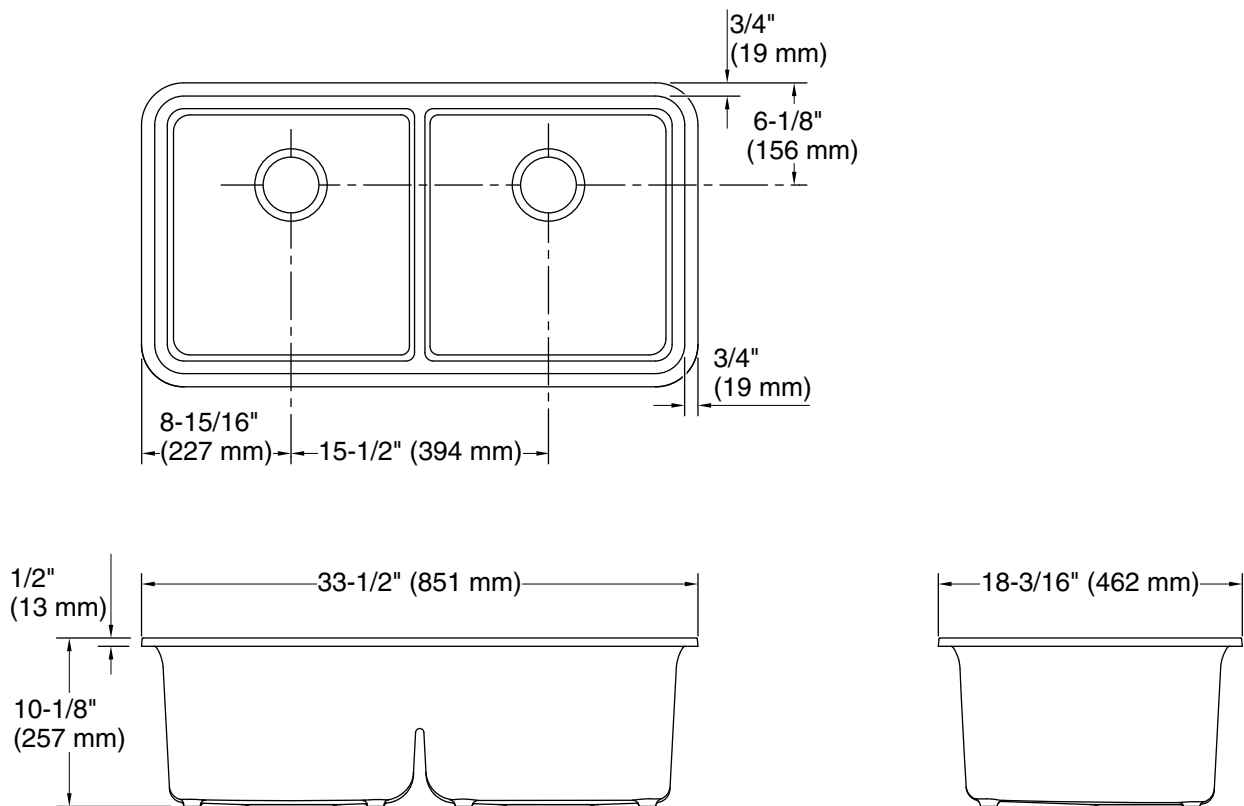
Color	Code	Description
	CM6	Matte White
	CM4	Matte Grey
	CM1	Matte Black

1-800-STERLING (1-800-783-7546)

Kohler Co. reserves the right to make revisions without notice to product specifications.

For the most current Specification Sheet, go to [www.sterlingplumbing.com](http://www.sterlingplumbing.com).

8-3-2024 00:38 - US/CA



### Technical Information

All product dimensions are nominal.

Bowl configuration: Double equal

Min. base cabinet width: 36" (914 mm)

Bowl area (Double Equal Basins):  
 Length: 14-7/8" (378 mm)  
 Width: 15-3/16" (386 mm)  
 Bowl depth: 9-1/2" (241 mm)  
 Water depth: 9-1/2" (241 mm)

Drain hole: 3-7/8" (98 mm)

Template: Undermount, 1583721-7, required, not included

### Notes

Install this product according to the installation instructions.