

### Features

- 30" (762 mm) minimum base cabinet width.
- Single bowl.
- Single faucet hole.
- 9" (229 mm) depth provides generous workspace.
- Tightly angled fabricated corners maximize bowl space.
- Two-piece colander set offers convenience while rinsing and draining (dishwasher-safe).
- Durable bamboo cutting board with silicone bumpers for added stability.
- Accessories stack and slide to enhance food prep.
- Dishwasher-safe silicone sink mat helps protect the sink as well as fragile dishes.
- Sink strainer keeps large items from passing into the drain.

### Material

- Premium 18-gauge stainless steel.
- KOHLER stainless steel sinks resist corrosion and tarnishing.

### Installation

- Top-mount or undermount.
- Accessories slide on sink ledges when sink is top-mounted.
- Cutting board slides across countertop when sink is undermounted.

### Recommended Products/Accessories

- K-23726 Drain treatment
- K-23729 Stainless steel cleaner

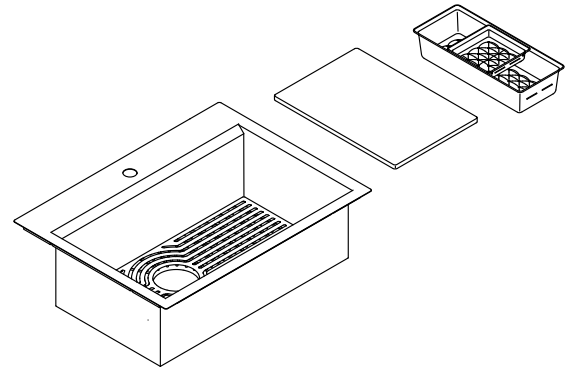
### Optional Products/Accessories

- K-9000 P-Trap

### Included Components

Additional Components:

- 21613
- 21614
- 7400
- 80088

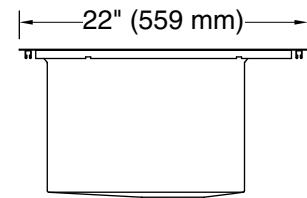
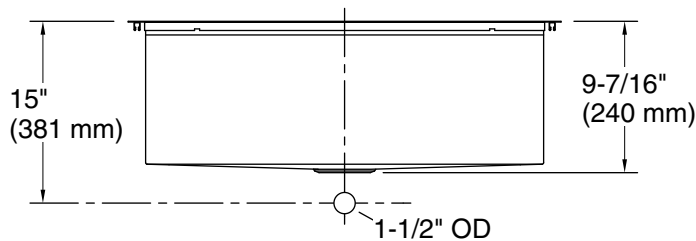
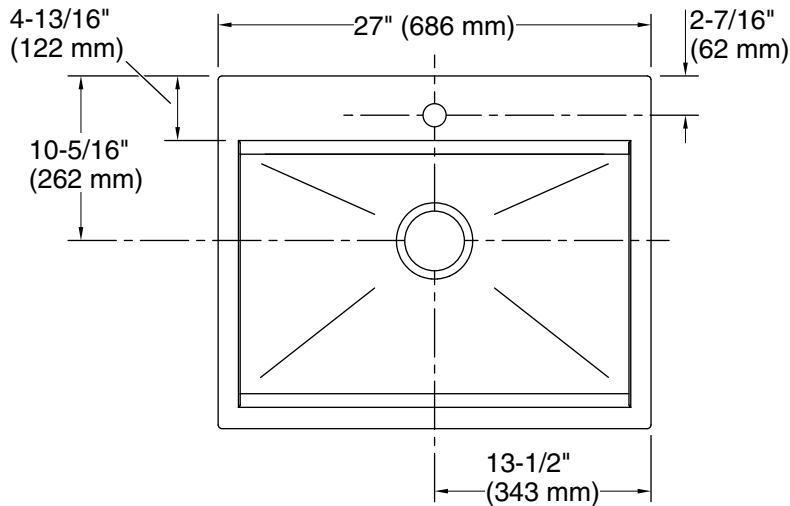


### Codes/Standards

ASME A112.19.3/CSA B45.4

### KOHLER® Stainless Steel Sinks Lifetime Limited Warranty

See website for detailed warranty information.



### Technical Information

All product dimensions are nominal.

Bowl configuration:	Single
Installation:	Top-mount, Undermount
Min. base cabinet width:	30" (762 mm)
Bowl area (Only):	Length: 24-1/4" (616 mm) Width: 14-15/16" (379 mm) Bowl depth: 9-3/16" (233 mm)
Number of deck holes:	1
Faucet hole(s):	1-7/16" (37 mm)
Drain hole:	3-5/8" (92 mm)
Template:	Top-mount/Undermount, 1381844-7, required, included

### Notes

Install this product according to the installation instructions.