



**McAllister®**  
Under-Mount Kitchen Sink  
**97447**

**Features**

- 8"-deep single bowl.
- 3-3/4" drain opening.
- Stainless steel with luster finish.
- SilentShield® sound-absorption technology offers quieter performance.

**Material**

- Premium 18-gauge stainless steel.

**Installation**

- Undermount.
- No faucet holes; requires wall-or counter-mount faucet.

**Recommended Products/Accessories**

- K-23726 Drain treatment
- K-23729 Stainless steel cleaner

**Included Components**

- Additional Components:  
Mounting hardware

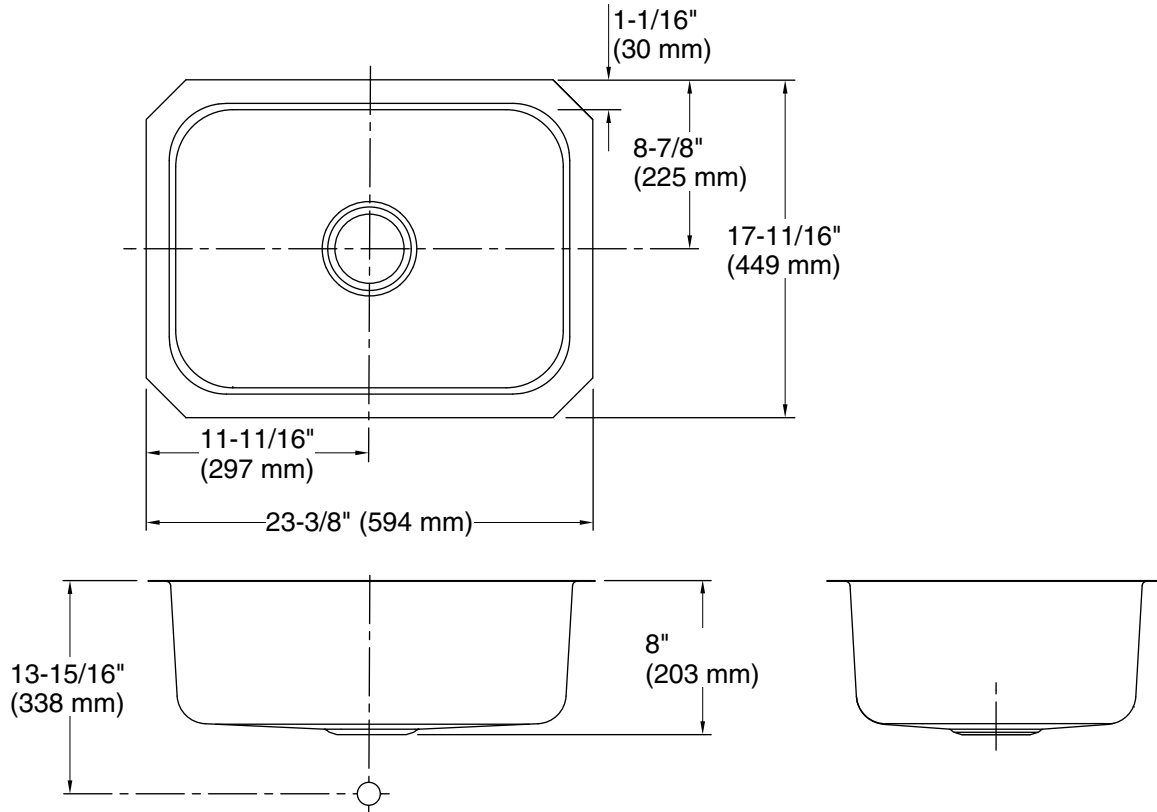


**Codes/Standards**

ASME A112.19.3/CSA B45.4  
All applicable US Federal and State material regulations

**STERLING® Warranty - Stainless Steel Sinks**

See website for detailed warranty information.



**Technical Information**

All product dimensions are nominal.

- Bowl configuration: Single
- Installation: Under-mount
- Bowl area: Length: 21" (533 mm)  
Width: 15-1/4" (387 mm)  
Bowl depth: 7-3/4" (197 mm)  
Water depth: 7-3/4" (197 mm)
- Drain hole: 3-5/8" (92 mm)
- Template: 1315840-7, required, included

**Notes**

Install this product according to the installation instructions.