



# Ludington®

## Under-Mount Kitchen Sink

### 20023

#### Features

- 9-7/16"-deep single bowl.
- 3-3/4" drain opening.
- SilentShield® sound-absorption technology offers quieter performance.

#### Material

- Stainless steel with satin finish.
- Premium 18-gauge stainless steel.

#### Installation

- Undermount.
- No faucet holes; requires wall-or counter-mount faucet.

#### Recommended Products/Accessories

7400 Sink Strainer  
20284 Silicone sink mat  
K-23726 Drain treatment  
K-23729 Stainless steel cleaner

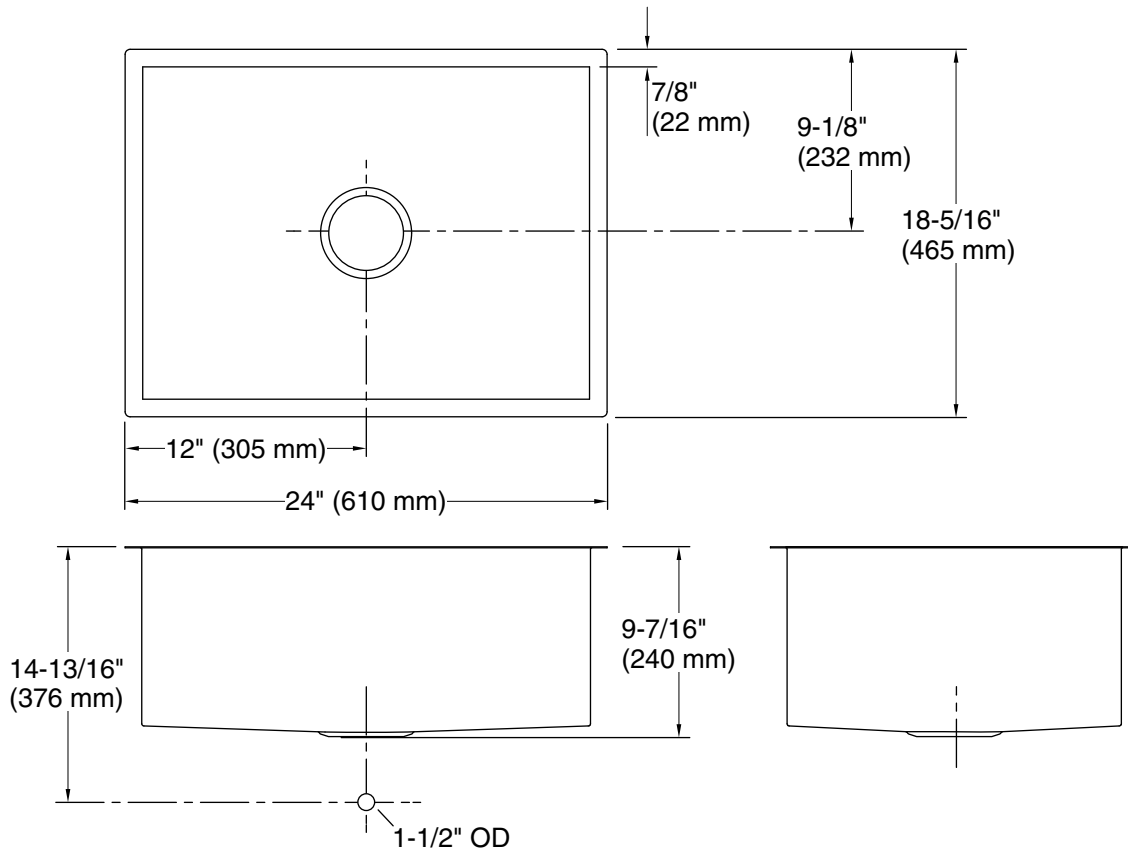


#### Codes/Standards

ASME A112.19.3/CSA B45.4

#### STERLING® Warranty - Stainless Steel Sinks

See website for detailed warranty information.



### Technical Information

All product dimensions are nominal.

Installation:	Under-mount
Min. base cabinet width:	27" (686 mm)
Bowl area (Only):	Length: 22-1/4" (565 mm) Width: 16-9/16" (420 mm) Bowl depth: 9-3/16" (233 mm) Water depth: 9-3/16" (233 mm)
Drain hole:	3-3/4" (94 mm)
Template:	1298948-7, required, included

### Notes

Install this product according to the installation instructions.

Countertop manufacturer or cutter must use the cut-out template provided with the product, or a current one provided by Kohler Co. (call 1-800-43-FOCUS). Kohler Co. is not responsible for cut-out errors when the incorrect cut-out template is used.