



Ludington®

Under-Mount Kitchen Sink

20022

Features

- 9-9/16"-deep single bowl.
- 3-3/4" drain opening.
- SilentShield® sound-absorption technology offers quieter performance.

Material

- Stainless steel with satin finish.
- Premium 18-gauge stainless steel.

Installation

- Undermount.
- No faucet holes; requires wall-or counter-mount faucet.

Recommended Products/Accessories

7400 Sink Strainer
20285 Silicone sink mat
K-23726 Drain treatment
K-23729 Stainless steel cleaner

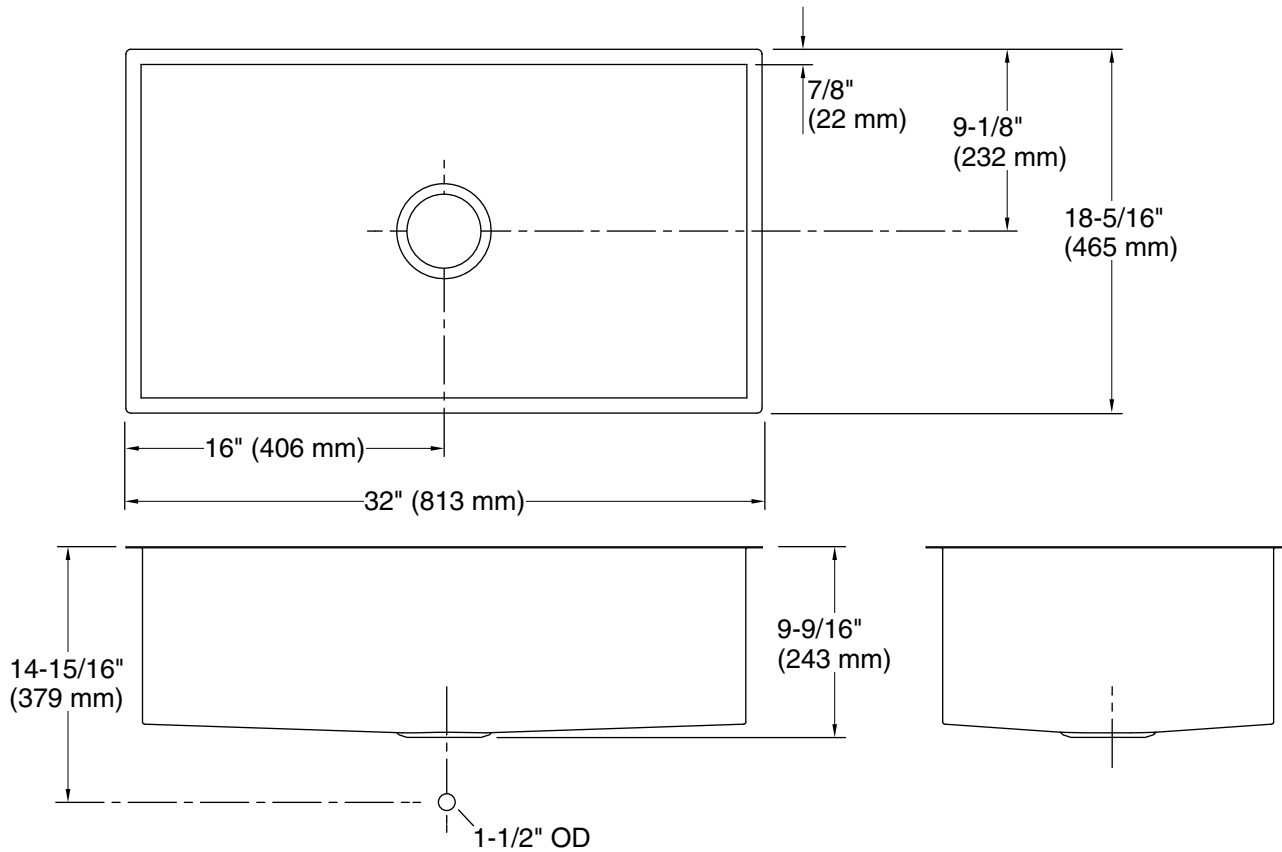


Codes/Standards

ASME A112.19.3/CSA B45.4

STERLING® Warranty - Stainless Steel Sinks

See website for detailed warranty information.



Technical Information

All product dimensions are nominal.

| | |
|--------------------------|---|
| Installation: | Under-mount |
| Min. base cabinet width: | 36" (914 mm) |
| Bowl area (Only): | Length: 30-1/4" (768 mm) Width: 16-9/16" (420 mm) Bowl depth: 9-5/16" (237 mm) Water depth: 9-5/16" (237 mm) |
| Drain hole: | 3-3/4" (94 mm) |
| Template: | 1298947-7, required, included |

Notes

Install this product according to the installation instructions.
Countertop manufacturer or cutter must use the cut-out template provided with the product, or a current one provided by Kohler Co. (call 1-800-43-FOCUS). Kohler Co. is not responsible for cut-out errors when the incorrect cut-out template is used.